

DIAGRAMS WITH THE JOINING DIMENSIONS OF THE THREE STEP REDUCTION GEAR - TSRG

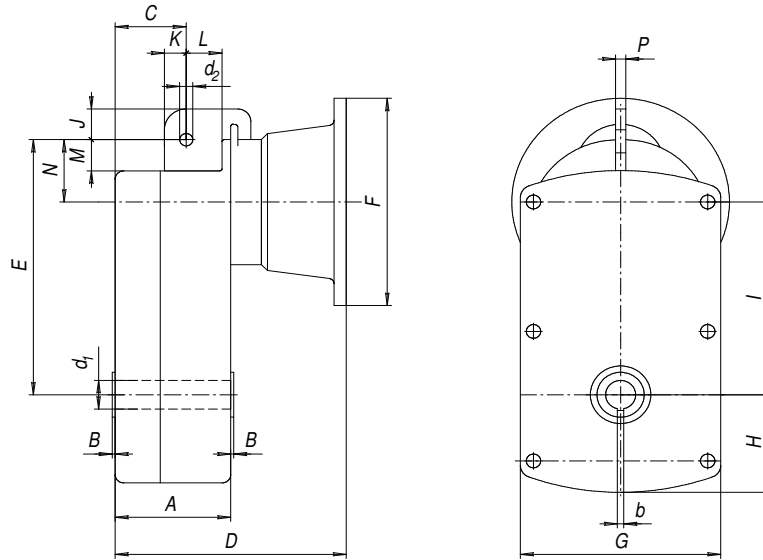


TABLE OF THE VALUES OF THE OVERALL AND JOINING DIMENSIONS OF THE REDUCTION GEAR TSRG

Тип	A	B	C	D	E	F	G	H	I	J	K	L	M	N	P	d ₁ H7	d ₂	b	Weight [kg]
TP 160	96	1	66	149 169	150	160 200	130	63	100	25	24	20	25	50	15	30	16	8	13
TP 200	106	2	72	162 182	178	160 200	150	72	125	33	24	20	25	53	16	35	18	10	20
TP 250	118	2	76	196 206	207	200 250	180	88	145	33	30	28	32	62	16	40	18	12	30
TP 315	142	2	96	219 229	244	200 250	210	102	174	34	35	32	36	70	20	50	22	14	43