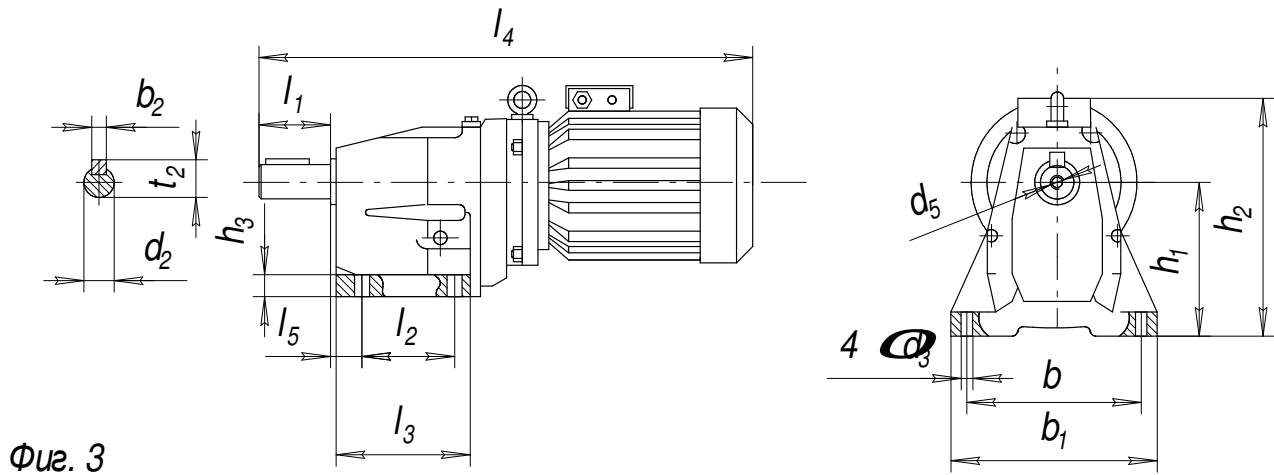


**DIAGRAMS WITH THE JOINING DIMENSIONS – GMC 100, GMC 132 and GMCI 160 –
B3 execution (without a flange)**



**OVERALL AND JOINING DIMENSION OF GMC 100, GMC 132 and GMCI 160
(see the above diagram – B3 execution)**

Type os gear-motors	Type of motors	Marking [mm]														
		ϕd_2	$d_3 +0.25$	$b \pm 0.3$	b_1	b_2	l_1	$l_2 \pm 0.3$	l_3	l_4	l_5	$h_{1-0.5}$	h_2	h_3	t_2	d_5
GMC 100	MO 63 A-4D	22 j 6	9	130	156	6	50	85	117.5	392	14.5	100	186	15	24.5	M8
GMC 100	MO 63 B-4D	22 j 6	9	130	156	6	50	85	117.5	392	14.5	100	186	15	24.5	M8
GMC 100	MO 71 A-4D	22 j 6	9	130	156	6	50	85	117.5	402	14.5	100	202	15	24.5	M8
GMC 100	MO 71 B-4D	22 j 6	9	130	156	6	50	85	117.5	402	14.5	100	202	15	24.5	M8
GMC 100	T 80 A-4	22 j 6	9	130	156	6	50	85	117.5	447	14.5	100	209	15	24.5	M8
GMC 100	T 80 B-4	22 j 6	9	130	156	6	50	85	117.5	447	14.5	100	209	15	24.5	M8
GMC 132	MO 71 A-6D	32 k 6	14	170	208	10	80	120	165.5	458	24	132	227	25	35.5	M12
GMC 132	MO 71 B-6D	32 k 6	14	170	208	10	80	120	165.5	458	24	132	227	25	35.5	M12
GMC 132	MO 71 B-4D	32 k 6	14	170	208	10	80	120	165.5	458	24	132	227	25	35.5	M12
GMC 132	MO 63 B-4D	32 k 6	14	170	208	10	80	120	165.5	480	24	132	211	25	35.5	M12
GMC 132	T 80 A-6	32 k 6	14	170	208	10	80	120	165.5	523	24	132	234	25	35.5	M12
GMC 132	T 80 A-4	32 k 6	14	170	208	10	80	120	165.5	523	24	132	234	25	35.5	M12
GMC 132	T 80 B-4	32 k 6	14	170	208	10	80	120	165.5	523	24	132	234	25	35.5	M12
GMC 132	T 90 S-4	32 k 6	14	170	208	10	80	120	165.5	529	24	132	257	25	35.5	M12
GMC 132	T 90 L-4	32 k 6	14	170	208	10	80	120	165.5	579	24	132	257	25	35.5	M12
GMC 132	T 100 LA-4	32 k 6	14	170	208	10	80	120	165.5	590	24	132	265	25	35.5	M12
GMC 132	T 100 LB-4	32 k 6	14	170	208	10	80	120	165.5	590	24	132	265	25	35.5	M12
GMCD 160	T 80 B-6	48 k 6	18	205	248	14	110	150	206	590	26	160	260	30	51.5	M16
GMCD 160	T 90 S-6	48 k 6	18	205	248	14	110	150	206	606	26	160	283	30	51.5	M16
GMCD 160	T 80 B-4	48 k 6	18	205	248	14	110	150	206	590	26	160	260	30	51.5	M16
GMCD 160	T 90 S-4	48 k 6	18	205	248	14	110	150	206	606	26	160	283	30	51.5	M16
GMCD 160	T 90 L-4	48 k 6	18	205	248	14	110	150	206	646	26	160	283	30	51.5	M16
GMCD 160	T 100 LA-4	48 k 6	18	205	248	14	110	150	206	667	26	160	291	30	51.5	M16
GMCD 160	T 100 LB-4	48 k 6	18	205	248	14	110	150	206	667	26	160	291	30	51.5	M16
GMCD 160	T 112 M-4	48 k 6	18	205	248	14	110	150	206	667	26	160	301	30	51.5	M16