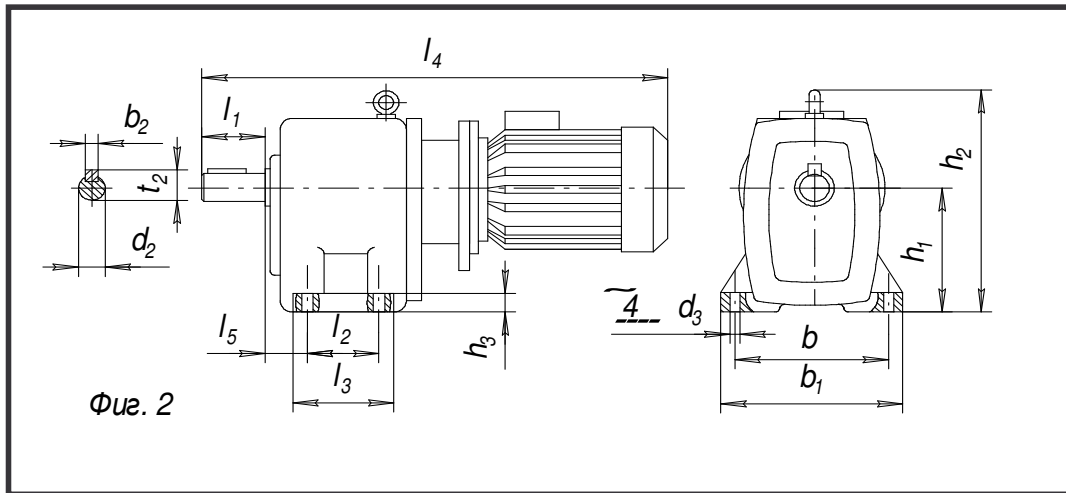


DIAGRAMS OF THE JOINING DIMENSIONS – 80, GMCCM 100, GMCCM 125, GMCCM 160 AND GMCCM 200



OVERALL AND JOINING DIMENSION OF 80, GMCCM 100, GMCCM 125, GMCCM 160 AND GMCCM 200

Type os gear-motors	Type of motors	Marking													
		d2	d3	b	b1	b2	l1	l2	l3	l4	l5	h1	h2	h3	t2
GMCCA 80	T 80 A-4	45k6	13	200	240	14	82	110	140	532	37	160	246	16	48.5
GMCCA 80	T 80 B-4,6	45k6	13	200	240	14	82	110	140	537	37	160	246	16	48.5
GMCCA 80	T 90 L-4,6	45k6	13	200	240	14	82	110	140	598	37	160	246	16	48.5
GMCCA 80	T 90 S-4,6	45k6	13	200	240	14	82	110	140	558	37	160	246	16	48.5
GMCCA 80	T 100 LA-4,6,8	45k6	13	200	240	14	82	110	140	621	37	160	246	16	48.5
GMCCA 80	T 100 LB-4,8	45k6	13	200	240	14	82	110	140	631	37	160	246	16	48.5
GMCCA 80	T 112 M-4	45k6	13	200	240	14	82	110	140	663	37	160	246	16	48.5
GMCCA 100	T 112 M-4	55k6	17	250	300	16	82	140	180	673	49	200	307	20	59
GMCCA 100	T 112 M-6,8	55k6	17	250	300	16	82	140	180	641	49	200	307	20	59
GMCCA 100	T 100 LB-4	55k6	17	250	300	16	82	140	180	641	49	200	307	20	59
GMCCA 100	MO 112 M-4	55k6	17	250	300	16	82	140	180	728	49	200	307	20	59
GMCCA 100	MO 112 Mk-8	55k6	17	250	300	16	82	140	180	728	49	200	307	20	59
GMCCA 125	MO 132 S-4,6	70m6	17	320	380	20	105	160	210	787	54	250	386	25	74.5
GMCCA 125	MO 132 M-4	70m6	17	320	380	20	105	160	210	842	54	250	386	25	74.5
GMCCA 125	MO 160 S-4	70m6	17	320	380	20	105	160	210	858	54	250	386	25	74.5
GMCCA 125	MO 160 M-4	70m6	17	320	380	20	105	160	210	892	54	250	386	25	74.5
GMCCA 160	MO 132 M-4,6,8	90m6	17	400	480	25	130	200	250	918	62	315	485	32	95
GMSCCA 160	MO 160 M-4	90m6	17	400	480	25	130	200	250	968	62	315	485	32	95
GMCCA 160	MO 180 S-4	90m6	17	400	480	25	130	200	250	998	62	315	485	32	95
GMCCA 160	MO 180 M-4	90m6	17	400	480	25	130	200	250	1035	62	315	485	32	95
GMCCA 200	MO 160 M-4,6,8	110m6	26	500	600	28	165	250	340	1061	71	400	617	40	116
GMCCA 200	MO 180 M-4,6,8	110m6	26	500	600	28	165	250	340	1128	71	400	617	40	116
GMCCA 200	MO 180 S-4	110m6	26	500	600	28	165	250	340	1091	71	400	617	40	116
GMCCA 200	MO 200 M-4,6	110m6	26	500	600	28	165	250	340	1221	71	400	617	40	116
GMCCA 200	MO 225 M-4	110m6	26	500	600	28	165	250	340	1281	71	400	617	40	116