

DIAGRAMS WITH THE JOINING DIMENSIONS FOR GMP, GMQ, GMQ.PC, GMPW AND GMPW

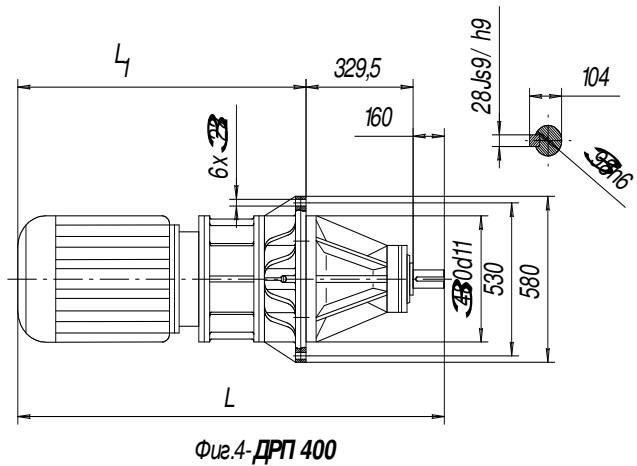
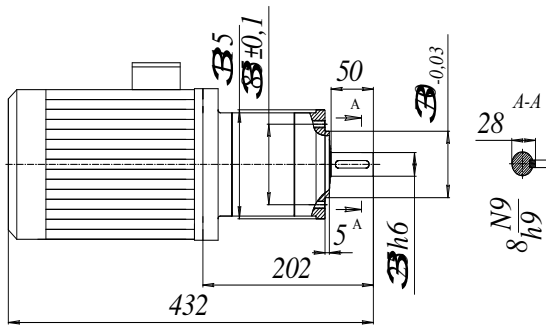
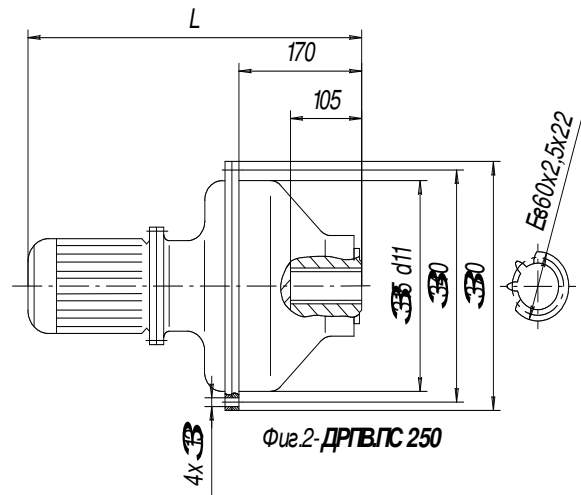
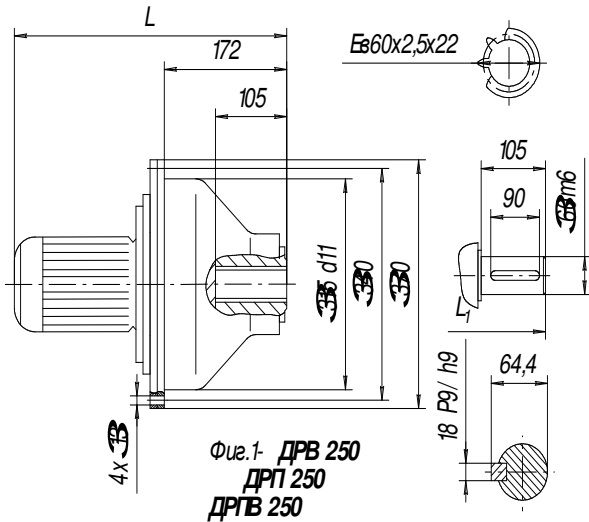


TABLE OF VALUES OF THE PARAMETERS GIVEN IN THE ABOVE DIAGRAM OF THE PLANETARY GEARED-MOTORS (in cm)

Table 2

Marking	L	L ₁	Marking	L	L ₁
GMPW 250-1000/T 80 A-6	541	646	GMP 250-5/MO 112 M-6	655	760
GMPW 250-800/T 80 A-6			664	769	
GMPW 250-800/T 80 A-4			655	760	
GMW 250-100/T 100 LB-4	548	653	GMW.PC.250-100/MO 112 Mκ-6	762	867
GMW 250-100/T 112 M-6	548	653	GMW 250-5/ MO 112 M-6	655	760
GMW 250-100/T 112 M-8			GMP 400MO 160 M-4	1500	1010
GMPW 250-400/T 80 B-4	541	646	GMP 400MO 200 M-6	1650	1160
GMPW 250-400/T 80 B-6			GMP 400MO 200 L-8	1688	1198
GMPW 250-500/T 80 B-4			GMP 400BAO 62-4	1625	1135
GMPW 250-500/T 80 B-6			GMP 400BAO 72-6	1690	1200
GMP 250-5/MO 132 S-6			615	720	