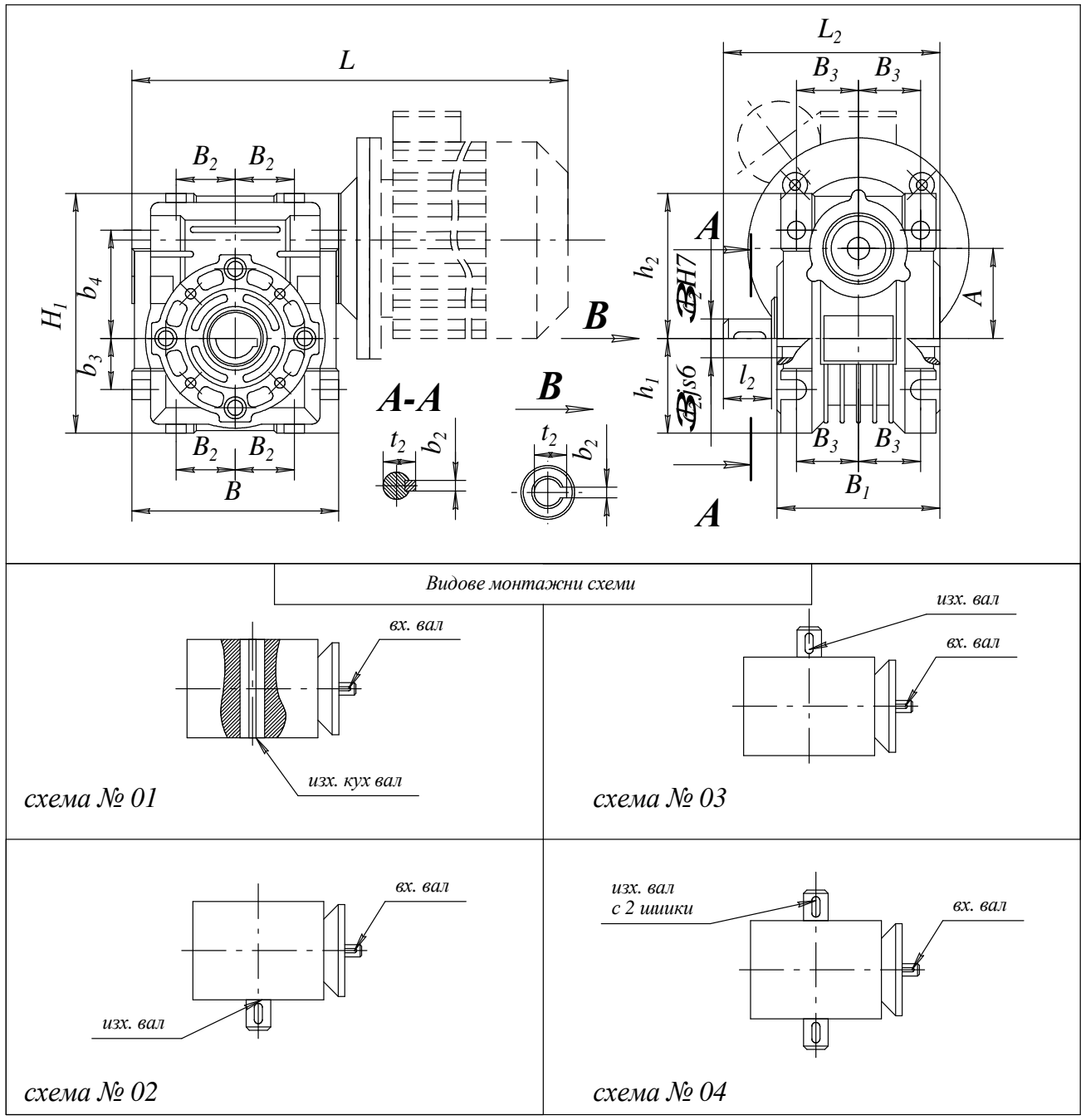


**DIAGRAMS WITH THE JOINING DIMENSIONS OF THE WORM GEARED-MOTORS IN THE ALUMINUM BODY (GMWA)**



**TABLE OF THE OVERALL AND JOINING DIMENSIONS – SEE THE DIAGRAM OF THE WORM GEARED-MOTOR WITH THE ALUMINUM BODY, GMWA [mm]**

Type	Marking	A	B	B <sub>1</sub>	B <sub>2</sub>	B <sub>3</sub>	L <sub>2</sub>	t <sub>2</sub>	b <sub>2</sub>	d <sub>1js6</sub>	d <sub>2</sub>	l <sub>2</sub>	H <sub>1</sub>	h <sub>1</sub>	h <sub>2</sub>	b <sub>3</sub>	b <sub>4</sub>	L
GMWA 30/MGT;MGS		30	84	63	23	20	93	16.3	5	9	14	20	90	41.75	48.3	6	28.25	~285
GMWA 30/MOER		30	84	63	23	20	93	16.3	5	11	14	20	90	41.75	48.3	6	28.25	~270
GMWA 40/ MO 56B- 4D		40	100	78	35	30	108	20.8	6	φ16	φ18	28	121	51	70	36	54	~282
GMWA 40/ MO 63A,B- 4D		40	100	78	35	30	108	20.8	6	φ16	φ18	28	121	51	70	36	54	~292
GMWA 50/ MO 56A,B-4D		50	138	130	47	48	160	24.5	6	φ18	φ22	28	158	69	89	51	71	~332
GMWA 50/ MO 63A,B-4D		50	138	130	47	48	160	24.5	6	φ18	φ22	28	158	69	89	51	71	~348
GMWA 50/ MO 71A,B-4D		50	138	130	47	48	160	24.5	6	φ18	φ22	28	158	69	89	51	71	~358
GMWA 63/ MO 71A-4D		63	150	130	47	48	166	28	8	φ18	φ25	28	177	75	102	57	84	~370
GMWA 63/ T80-4,6		63	150	130	47	48	166	28	8	φ18	φ25	28	177	75	102	57	84	~424